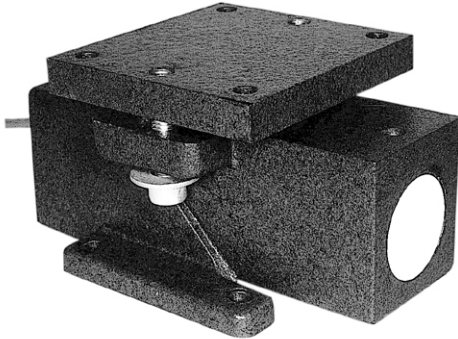


## Load Cell Weigh Module



### FEATURES

- Capacity range: 500, 1K, 2K, 5K, 10K, 20K, and 50K lb (227, 454, 907, 2.27K, 4.5K, 9K, and 22.7K kg)
- 'Checkless' design - no stay or check rods required
- Low profile and integral thermal expansion assembly simplifies installation
- Designed to meet ANSI/ASCE wind load and seismic requirements
- Double cantilever design improves system performance and accuracy
- FM and CSA approved

### DESCRIPTION

Z-BLOK Weigh Modules are specifically designed to meet the requirements of inventory and process weighing applications. Checkless design (no stay or check rods), low profile, and uniform bolt spacing simplify installation on new or existing vessels. The integral expansion assembly, double cantilever design, and temperature compensated full bridge transducer, minimize temperature effects allowing accurate measurement indoors or out, in virtually any environment.

The ANSI/ASCE qualified design provides an efficient balance between performance as a transducer and strength as a structural member when earthquakes or wind resistance is a structural design requirement.

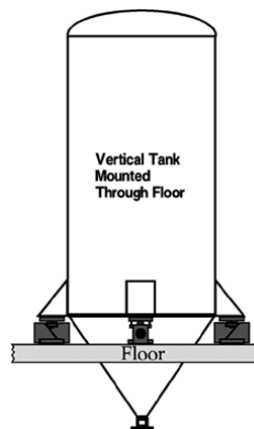
Sideloads of up to 100% full scale capacity, caused by mixer torque, vibration, or other extraneous forces, virtually have no effect on weight measurement.

An integral cable conduit fitting, sealed strain gages, and a stainless steel transducer ensure long life in wet or washdown locations. High overload capacity, ductile iron mounting hardware, and high strength assembly bolts enable the Z-BLOK to survive where others fail.

### APPLICATIONS

- Inventory silos
- Storage tanks
- Process vessels

### CONFIGURATION



### THE DOUBLE CANTILEVER ADVANTAGE

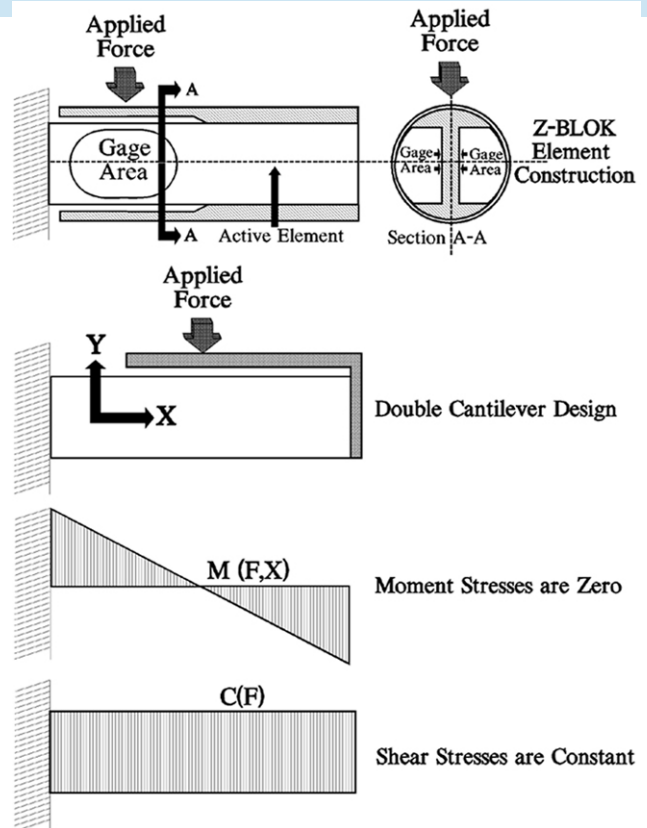
Double cantilever shear beams measure the shear component of force without errors caused by changing point or moment stresses.

The Z-BLOK Weigh Module incorporates an outer sleeve that can be thought of as a second cantilever, rigidly attached to the free end of the first cantilever. Thus the term double cantilever.

With this design, rather than applying force at the free end of the beam, the point of load application is brought back to a point directly over the gaged area. The result is that bending moment is close to zero across the gaged area. Because a shear beam is designed to measure shear, not bending, any reduction in bending moment stress is desirable. The second cantilever also is effective at isolating load application point stresses from the active element.

Reducing the force due to bending moment in a cantilever beam has a side benefit - a reduction in the beam's strength requirements. By reducing the bending moment induced at the weakest part of the shear beam (section A-A), a double cantilever shear beam can be operated at a stress level well below that of a single cantilever shear beam. The result is a more conservative structural design with high overload capacity and fatigue resistance.

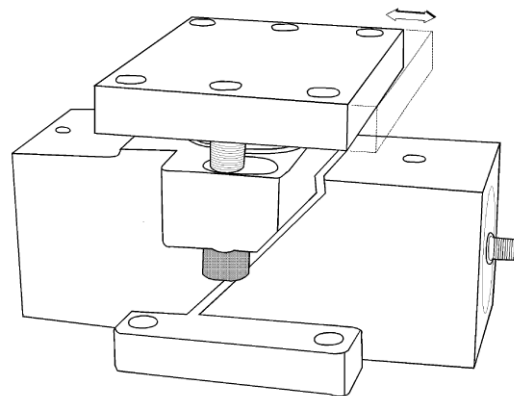
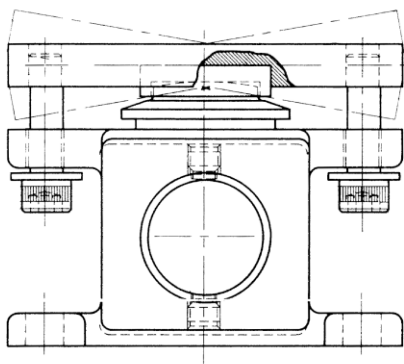
Double cantilever shear beams approach the ideal in load cell design; they measure the desired force while ignoring any extraneous forces that may be present.



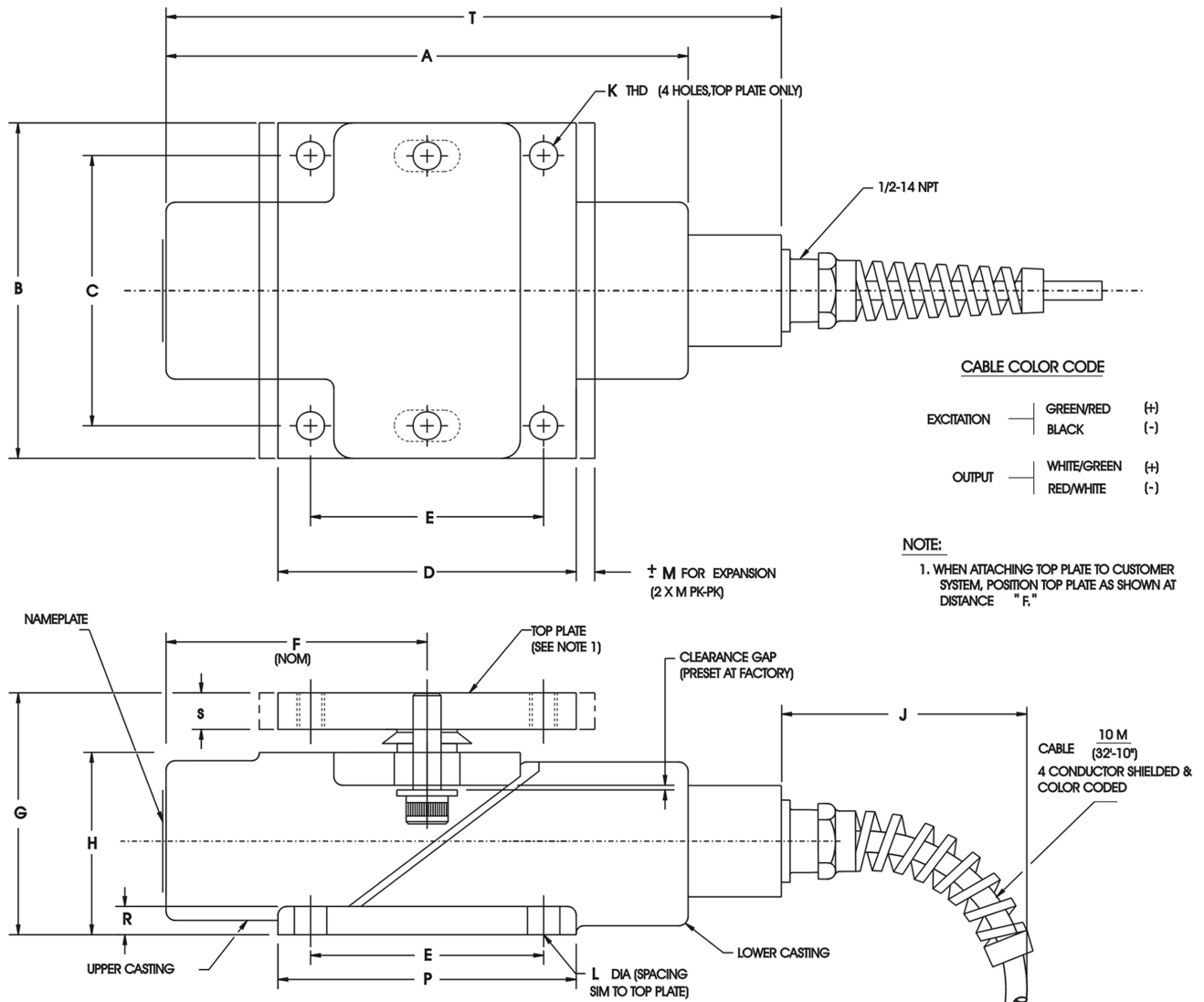
### THE INTEGRAL THERMAL EXPANSION/RETAINER PLATE ADVANTAGE

Z-BLOK's unique design incorporates an integral expansion/retainer plate assembly with retainer bolts. This mounting arrangement provides simple checkless installation while allowing for minor mounting surface irregularities and vessel/structure expansion and contraction. The spherical load button and socket eliminates torsional stresses on the load element caused by non-level or out of plumb mounting surfaces.

End load stresses, caused by vessel/structure expansion and contraction or process vibration, are negated by the teflon impregnated slide plate. The expansion/retainer plate assembly is attached to the module at the factory and requires no adjustments. The high strength bolts that connect the module and expansion/retainer plate assembly provide resistance to uplift forces and complete the checkless design.



**OUTLINE DIMENSIONS**



PART NO.	CAPACITY (lb)	A	B	C	D	E	F	G	H	J	K	L	M	P	R	S	T	
468528-4	Reserved																	
468529-4	Reserved																	
468530-4	500	152.4 (6.0)	98.4 (3.875)	76.2 (3.0)	88.9 (3.50)	65.0 (2.56)	76.2 (3.0)	68.3 (2.69)	50.5 (1.99)	76.2 (3)	1/4-20	8.13 (.32)	2.2 (.09)	89 (3.5)	7.9 (.31)	9.1 (.36)	190.5 (7.50)	
462795-4	1,000										3/8-16	10.9 (.43)	4.0 (.16)	101.6 (4.0)	9.7 (.38)	12.4 (.49)	209.6 (8.25)	
462796-4	2,000	177.8 (7.0)	114.3 (4.50)	91.95 (3.62)	101.6 (4.0)	79.2 (3.12)	88.9 (3.50)	88.1 (3.47)	63.2 (2.49)		1/2-13	10.9 (.43)	4.5 (.18)	127 (5.0)	14.2 (.56)	18.5 (.73)	—	
462797-4	5,000										5/8-11	12.7 (.50)	4.8 (.19)	139.7 (5.5)	19.1 (.75)	21.8 (.86)	—	
462798-4	10,000	228.6 (9.0)	139.7 (5.50)	112.3 (4.42)	127.0 (5.0)	99.6 (3.92)	114.3 (4.50)	115.6 (4.55)	85.3 (3.36)		3/4-10	17.5 (.69)	6.3 (.25)	165.1 (6.5)	25.4 (1.0)	24.9 (.98)	—	
462799-4	20,000	254.0 (10.0)	162.0 (6.38)	128.5 (5.06)	139.7 (5.50)	106.2 (4.18)	127.0 (5.0)	137.0 (5.39)	99.6 (3.92)									
462800-4	50,000	305.1 (12.01)	190.5 (7.50)	152.4 (6.0)	177.8 (7.0)	127.0 (5.0)	152.4 (6.0)	177.3 (6.98)	126.5 (4.98)									

Dimensions shown in mm (in.)

### SPECIFICATIONS

#### Performance

Capacities	500, 1K, 2K, 5K, 10K, 20K, and 50K lb, (227, 454, 907, 2.27K, 4.5K, 9K, and 22.7K kg)
Rated Output (RO)	2.0 mV/V +/-0.1% mV/V
Repeatability	0.01 % RO
Combined Error (best fit)	0.10% RO
Zero Balance	5% RO
Creep (20 minutes)	0.03% RO
Temperature Effects:	
On Zero Balance	0.0017% RO/°F
On Span	0.0020%Load/ °F

#### Electrical

Recommended Excitation	10 Vdc (15 Vdc max)
Input Resistance	350 ohms +/- 3 ohms
Output Resistance	350 ohms +/- 3 ohms
Cable Length	32', 10 cable with conduit fitting

#### Temperature

Safe Range	-40 to 220°F
Compensated Range	+30 to 130°F

#### Adverse Load Ratings

Safe Load	150% rated capacity
Safe Sideload	100% rated capacity
Safe Uplift	50% rated capacity

#### Material

Beam	15-5PH Stainless Steel
Brackets	painted* ductile iron

#### Deflection and Unit Weight

CAPACITY	DEFLECTION	WEIGHT
500 lb	0.012 in.	10 lb
1K lb	0.012 in.	10 lb
2K lb	0.013 in.	15 lb
5K lb	0.027 in.	15 lb
10K lb	0.023 in.	35 lb
20K lb	0.047 in.	50 lb
50K lb	0.066 in.	75 lb

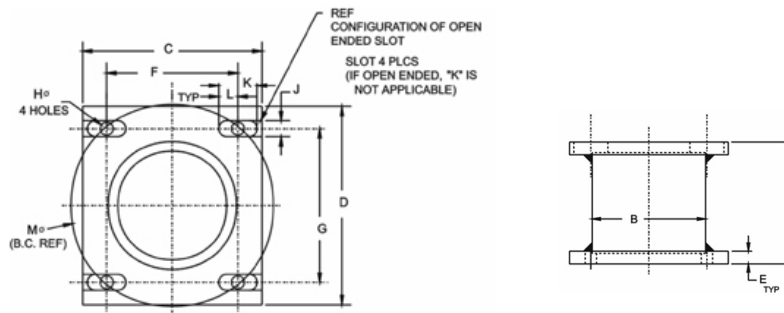
#### Approvals

FM Intrinsically Safe	Class I, II, III; Div 1, Groups A-G
FM Nonincendive	Class I; Div 2, Groups A-D
CSA Intrinsically Safe	Class I, Groups A-D; Class II, Groups E-G

\*single component, waterborne polyurethane copolymer - high gloss

BLH is continually seeking to improve product quality and performance. Specifications may change accordingly.

### SIMULATED WEIGH MODULES



CAP. LB	A	B °	C	D	E	F	G	H °	J	K	L	M ° BC REF
500/1K	2.69	2 1/2	3 1/2	4.0	.50	2.560	3.000	5/16	5/16	3/4	3/8	3.944
2K & 5K	3.47	3 1/4	4	4 1/2	.50	3.120	3.620	7/16	7/16	—	7/16	4.779
10K	4.55	3 1/2	5	5 1/2	.63	3.920	4.420	7/16	9/16	—	1/2	5.908
20K	5.39	4	5 1/2	6 3/8	.75	4.180	5.060	1/2	11/16	—	9/16	6.563
50K	6.98	4 3/4	7	7 1/2	1.00	5.000	6.000	11/16	13/16	1 1/4	5/8	7.810

#### Thermal Insulation Pads

In applications where heat conduction is a concern, BLH can provide thermal pads to isolate the Z-BLOK modules from the hot vessel. The one inch thick, phenolic glass pads install directly between the Z-BLOK expansion/retainer plate and the vessel gusset/mounting bracket for thermal insulation.

## Disclaimer

All product specifications and data are subject to change without notice.

Vishay Precision Group, Inc., its affiliates, agents, and employees, and all persons acting on its or their behalf (collectively, "Vishay Precision Group"), disclaim any and all liability for any errors, inaccuracies or incompleteness contained herein or in any other disclosure relating to any product.

Vishay Precision Group disclaims any and all liability arising out of the use or application of any product described herein or of any information provided herein to the maximum extent permitted by law. The product specifications do not expand or otherwise modify Vishay Precision Group's terms and conditions of purchase, including but not limited to the warranty expressed therein, which apply to these products.

No license, express or implied, by estoppel or otherwise, to any intellectual property rights is granted by this document or by any conduct of Vishay Precision Group.

The products shown herein are not designed for use in medical, life-saving, or life-sustaining applications unless otherwise expressly indicated. Customers using or selling Vishay Precision Group products not expressly indicated for use in such applications do so entirely at their own risk and agree to fully indemnify Vishay Precision Group for any damages arising or resulting from such use or sale. Please contact authorized Vishay Precision Group personnel to obtain written terms and conditions regarding products designed for such applications.

Product names and markings noted herein may be trademarks of their respective owners.